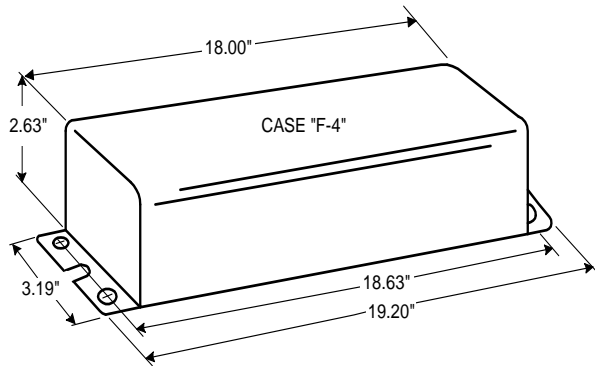




Metal
Halide
Lamp Ballast

Catalog Number 72C5882
For 320W M132/M154 (P.S.)
60 Hz CWA
Status: Active

DIMENSIONS AND DATA

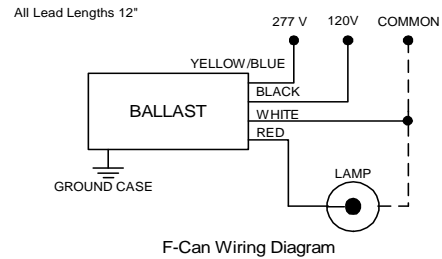


INPUT VOLTS	120	277			
CIRCUIT TYPE	CWA				
POWER FACTOR (min)	90%				
REGULATION					
Line Volts	±10%				
Lamp Watts	±10%				
LINE CURRENT (Amps)					
Operating.....	3.35	1.46			
Open Circuit.....	1.60	0.70			
Starting.....	2.75	1.20			
UL TEMPERATURE RATINGS					
Insulation Class	A (105°C)				
Coil Temperature Code	1029	A	A		
MIN. AMBIENT STARTING TEMP.	-20°F or -30°C				
NOM. OPEN CIRCUIT VOLTAGE	270				
INPUT VOLTAGE AT LAMP DROPOUT.....	65	160			
INPUT WATTS	370				
RECOMMENDED FUSE (Amps).....	8	3			
CORE and COIL					
Dimension (A)					
Dimension (B)					
Weight (lbs.)	21				
Lead Lengths	12"				
CAPACITOR REQUIREMENT					
Microfarads					
Volts (min.)					
Fault Current Withstand (amps)					
60 Hz TEST PROCEDURES (Refer to Advance Test Procedure for HID Ballasts - Form 1270)					
High Potential Test (Volts)					
1 minute	1500				
2 seconds	2500				
Open Circuit Voltage Test (Volts)	245-300				
Short-Circuit Current Test (Amps)					
Secondary Current	2.70-3.40				
Input Current.....	2.10-3.15	0.90-1.40	-	-	-

Capacitor:

The capacitor is included as part of the potted assembly.

Wiring Diagram:



Ordering Information

Order Suffix	Description
--------------	-------------

Ignitor: IN CAN

The ignitor is included as part of the potted assembly.

Ballast to Lamp Distance (BTL) = 50 feet
Temp Rating: 90°C

Data is based upon tests performed by Advance Transformer in a controlled environment and representative of relative performance. Actual performance can vary depending on operating conditions. Specifications are subject to change without notice.

ADVANCE TRANSFORMER CO.

O'HARE INTERNATIONAL CENTER · 10275 WEST HIGGINS ROAD · ROSEMONT, IL 60018
Customer Support/Technical Service: Phone: 800-372-3331 · Fax: 847-768-7768
Corporate Offices: Phone: 800-322-2086

10/29/09