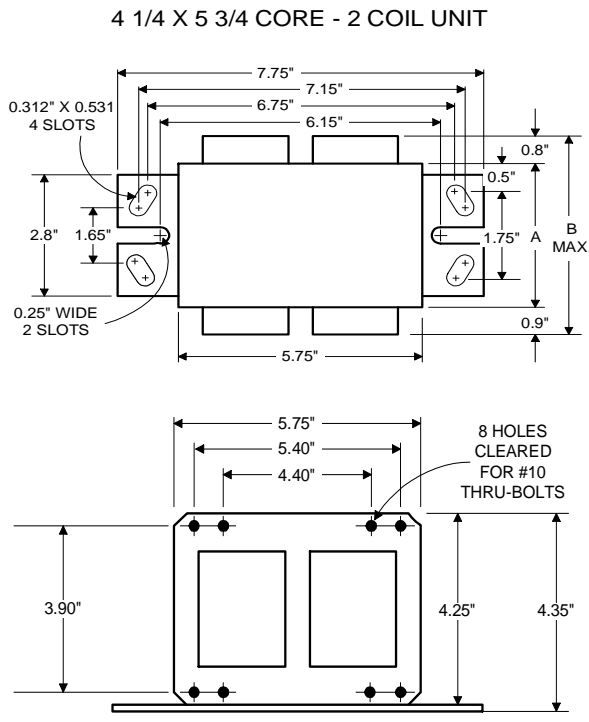




Low Pressure  
Sodium  
Lamp Ballast

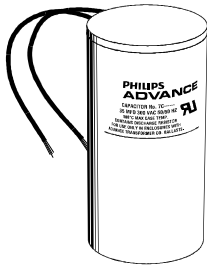
Catalog Number 71A07F0  
For 180W L74  
60 Hz HX-HPF  
Status: Active

**DIMENSIONS AND DATA**



INPUT VOLTS	347	480			
CIRCUIT TYPE	HX-HPF				
POWER FACTOR (min)	90%				
REGULATION					
Line Volts	±5%				
Lamp Watts	±10%				
LINE CURRENT (Amps)					
Operating.....	0.62	0.45			
Open Circuit.....	1.82	1.33			
Starting.....	0.76	0.54			
UL TEMPERATURE RATINGS					
Insulation Class	H(180°C)				
Coil Temperature Code	1029				
	A	A			
MIN. AMBIENT STARTING TEMP.	-20°F or -30°C				
NOM. OPEN CIRCUIT VOLTAGE	690				
INPUT VOLTAGE AT LAMP DROPOUT.....	268	345			
INPUT WATTS	213				
RECOMMENDED FUSE (Amps).....	5	4			
CORE and COIL					
Dimension (A)	2.35				
Dimension (B)	4.00				
Weight (lbs.)	15				
Lead Lengths	12"				
CAPACITOR REQUIREMENT					
Microfarads	16.0				
Volts (min.)	330				
Fault Current Withstand (amps)					
60 Hz TEST PROCEDURES (Refer to Advance Test Procedure for HID Ballasts - Form 1270)					
High Potential Test (Volts)					
1 minute	2000				
2 seconds	2500				
Open Circuit Voltage Test (Volts)	620-755				
Short-Circuit Current Test (Amps)					
Secondary Current	0.96-1.17				
Input Current.....	0.26-0.40	0.19-0.29	-	-	-

Capacitor: 7C160P40



Capacitance: 16  
Dia/Oval Dim: 1.75  
Height: 3.75  
Temp Rating: 105°C

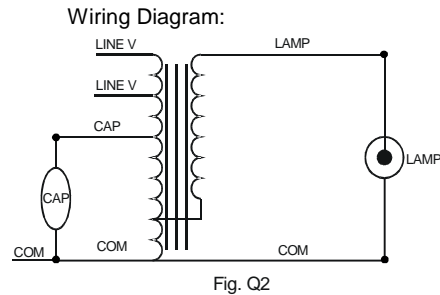


Fig. Q2

**Ordering Information**

Order Suffix	Description

Ignitor: NA

NA

This ballast does not require the use of an ignitor.

Data is based upon tests performed by Advance Transformer in a controlled environment and representative of relative performance. Actual performance can vary depending on operating conditions. Specifications are subject to change without notice.

**ADVANCE TRANSFORMER CO.**

O'HARE INTERNATIONAL CENTER · 10275 WEST HIGGINS ROAD · ROSEMONT, IL 60018  
Customer Support/Technical Service: Phone: 800-372-3331 · Fax: 847-768-7768  
Corporate Offices: Phone: 800-322-2086

05/19/05