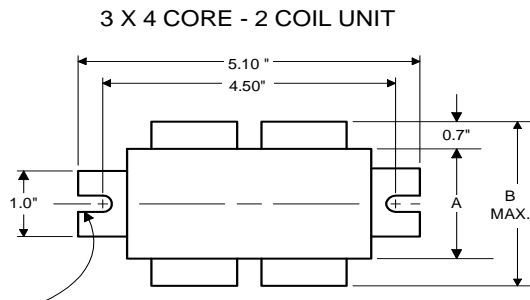




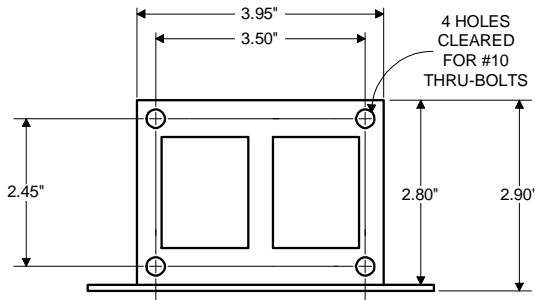
Low Pressure
Sodium
Lamp Ballast

Catalog Number 71A04F0
For 55W L71
60 Hz HX-HPF
Status: Active

DIMENSIONS AND DATA



0.25" WIDE
2 SLOTS

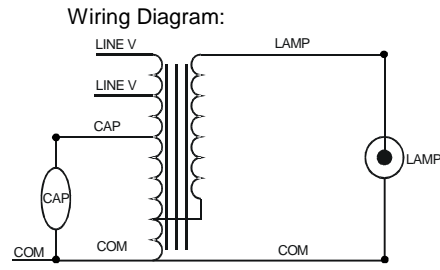


INPUT VOLTS	347	480			
CIRCUIT TYPE	HX-HPF				
POWER FACTOR (min)	90%				
REGULATION					
Line Volts	±10%				
Lamp Watts	±5%				
LINE CURRENT (Amps)					
Operating.....	0.24	0.18			
Open Circuit.....	0.79	0.58			
Starting.....	0.28	0.20			
UL TEMPERATURE RATINGS					
Insulation Class	H(180°C)				
Coil Temperature Code	1029				
	A	A			
MIN. AMBIENT STARTING TEMP.	-20°F or -30°C				
NOM. OPEN CIRCUIT VOLTAGE	490				
INPUT VOLTAGE AT LAMP DROPOUT.....	188	242			
INPUT WATTS	83				
RECOMMENDED FUSE (Amps).....	2	2			
CORE and COIL					
Dimension (A)	2.25				
Dimension (B)	3.50				
Weight (lbs.)	8				
Lead Lengths	12"				
CAPACITOR REQUIREMENT					
Microfarads	14.0				
Volts (min.)	240				
Fault Current Withstand (amps)					
60 Hz TEST PROCEDURES (Refer to Advance Test Procedure for HID Ballasts - Form 1270)					
High Potential Test (Volts)					
1 minute	2000				
2 seconds	2500				
Open Circuit Voltage Test (Volts)	450-530				
Short-Circuit Current Test (Amps)					
Secondary Current	0.50-0.70				
Input Current.....	0.06-0.21	0.05-0.10	-	-	-

Capacitor: 7C140M33-R



Capacitance: 14
Dia/Oval Dim: 1.5
Height: 2.9
Temp Rating: 105°C



Ordering Information

Order Suffix	Description

Ignitor: NA

This ballast does not require the use of an ignitor.

Data is based upon tests performed by Advance Transformer in a controlled environment and representative of relative performance. Actual performance can vary depending on operating conditions. Specifications are subject to change without notice.

ADVANCE TRANSFORMER CO.

O'HARE INTERNATIONAL CENTER · 10275 WEST HIGGINS ROAD · ROSEMONT, IL 60018
Customer Support/Technical Service: Phone: 800-372-3331 · Fax: 847-768-7768
Corporate Offices: Phone: 800-322-2086

03/05/03